

## ENGINE SPEED CONTROL USING ONLINE ANN FOR VEHICLE WITH EMDAP-CVT

Sugeng Ariyono\*  
Kamarul Baharin Tawi  
Hishamuddin Jamaluddin  
Bambang Supriyo

Faculty of Mechanical Engineering  
Universiti Teknologi Malaysia  
81310 UTM Skudai, Johor, Malaysia

\*Department of Electronic Engineering  
Politeknik Negeri Semarang  
Jl. Prof.H. Sudarto, S.H. Tembalang  
Semarang 50329, Indonesia

Department of Mechanical Engineering  
Politeknik Negeri Semarang  
Jl. Prof.H. Sudarto, S.H. Tembalang  
Semarang 50329, Indonesia  
E-mail: [bsupriyo7763@yahoo.com](mailto:bsupriyo7763@yahoo.com)

### ABSTRACT

*Controlling engine speed corresponding to load variations and road condition has always been a challenge to automotive engineers. However, with the introduction of Electro-Mechanical Dual Acting Pulley Continuously Variable Transmission (EMDAP-CVT), maintaining constant engine speed based on either its optimum control line or maximum engine power characteristic could be made possible. This paper describes the simulation work in this area carried out by the Drivetrain Research Group at the Automotive Development Centre, Universiti Teknologi Malaysia, Skudai Johor. The developed drive train model is highly non-linear; it could not be controlled satisfactorily by common linear control strategy such as PID controller. To overcome the problem, the use of Artificial Neural Network (ANN) is employed to indirectly control the engine speed by adjusting pulley CVT ratio. Computer simulations showed that applying artificial neural network (ANN) into drive train model could select a proper transmission ratio where the engine could be maintained to run at certain desired engine speed.*

**Keywords:** *Artificial neural network, CVT control, electromechanical CVT, engine speed control.*

### 1.0 INTRODUCTION

One of the major challenges faced by car industry to day is the reduction of the fuel consumption. One alternative for achieving this goal is to increase the fuel

---

\* Corresponding author: E-mail: [sgeng@inbox.com](mailto:sgeng@inbox.com)

efficiency of the engine by running the engine along its optimum operating line (OOL), Figure 1. Within the available operating range of internal combustion engine, continuously variable transmissions (CVT) is able to achieve more efficient operating levels than conventional automatic step gearbox, thus improving operational capability and fuel economy. The classical way to control CVT was the use of some information on the gear ratio or on the transmitted torque, which was then fed back by a PID type controller, [1]. He also stated that based on his experience with this approach the outcome was not very encouraging, unless reinforced with a gain scheduled controller with typically 100 difference gain points.

Masayuki Fuchino and his partner Kouhei Ohsono, both of them came from Honda R & D Co. Ltd. They started controlling CVT with very basic control system by giving read data obtained through out their company experiment involving CVT since 1962 [3]. In 1962, the company introduced the first mass production hydraulically operated CVT into the market with the Juno, a scooter with a 0.175 liter engine generating 8.8 KW. Until the end of 1996 this company has successfully developed a new generation CVT for the 1.6 liter economy car, Civic series.

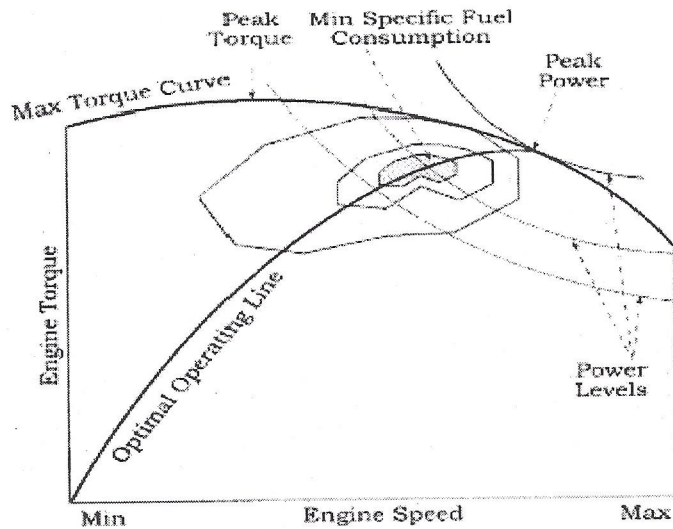


Figure 1: Typical Engine torque curve and optimal operating line [2]

The performance of the engine and the power train takes the most important part in car's fuel efficiency and drive ability. Thus, it is very important to maintain engine being the optimal working point according to car's moving resistance by regulating the ratio and changing the throttle opening, the so-called synthesized control method can be used for this purpose, [4]. Because the characteristic of the engine and the transmission is greatly change under different conditions, it is very difficult to control the ratio and the throttle opening to meet such demand. Fuzzy

control strategy was investigated to solve this problem, the simulation done by Wang Hongyan et al shows that the synthesized controller realized by the fuzzy strategy can maintain engine operating at the maximum efficiency point at any power demand level.

## 2.0 DRIVE TRAIN MODEL

To model the desired engine speed based on modelling, it is necessary to determine the drive train parameter. The dynamic vehicle is divided into three parts, i.e. engine, Transmission (CVT) and wheel as shown in Figure 2. It is assumed that there is no wheel slip; that vehicle speed is equivalent to wheel speed. Most researcher use Euler equation as a basic equation based on Figure 2 [1,5-9]. The analysis begins with the engine speed dynamics, modelled as a single inertia system, given as:

$$\dot{\omega}_e = \frac{1}{I_e} [T_e - T_{e,CVT}] \quad (1)$$

The wheel side of the vehicle was modelled as single inertia with

$$\dot{\omega}_w = \frac{1}{I_w} [T_{CVT,w} - T_w] \quad (2)$$

where  $T_e$  is the torque generated by the engine and  $T_{e,CVT}$  denotes the torque applied to EMDAP-CVT by the engine.  $T_w$  is the total torque generated by the wheels. The symbol  $I_e$  and  $I_w$  denotes the equivalent the engine and car inertia respectively.

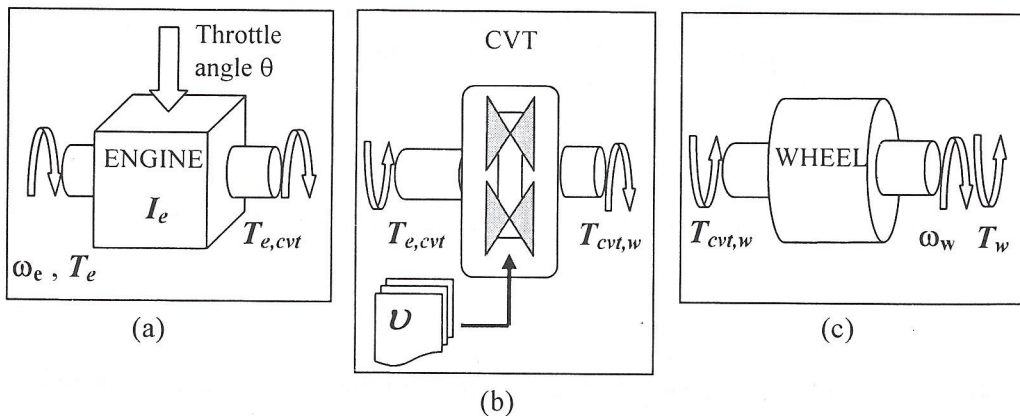


Figure 2: Drivetrain model

Since the function of EMDAP-CVT is to transfer torque from the engine to the wheels,  $T_{e,CVT}$  denotes the torque applied to CVT by the engine. The EMDAP-

CVT is modelled as single integrator with a lumped inertia placed on the engine side of the EMDAP-CVT [1,9]. The transmission dynamics are given by:

$$T_{CVT,w} = \nu T_{e,CVT} \quad (3)$$

$$\dot{v}(t) = u(t) \quad (4)$$

where  $\nu(t)$  is the effective gear ratio, and  $u(t)$  is the EMDAP-CVT control input. The kinematics relationship of the shaft speed on either side of the EMDAP-CVT is given by:

$$\nu \omega_w = \omega_e \quad (5)$$

where  $\nu$  is the EMDAP-CVT ratio, which is the function of engine speed,  $\omega_e$ , and vehicle speed,  $\omega_w$ .

The above equations (3.1)-(3.5) can be represented into a single equation:

$$\dot{\omega}_e = \frac{\nu T_e - (\dot{\omega}_w I_w + T_w)}{I_e \nu} \quad (6)$$

$T_e$  is the engine torque, which is a function of, throttle angle,  $\theta_{throttle}$ , and engine speed,  $\omega_e$  and can be represented as:

$$T_e = f(\omega_e, \theta_{throttle}) \quad (7)$$

Most of the current research [1,5,6,7,8,9], the engine torque was approximated by second order polynomial. According to Guzzela the second order polynomial was sufficiently well in most cases, but the author tries to develop the engine map model using look-up table based on data experiment.

The external torque could be modelled as:

$$T_w = (Ra + Rr + Rg + Ri) * r \quad (8)$$

where the first term on the right hand side represent the drag, which is equal

$$\frac{1}{2} \rho C_d A v^2 \quad (9)$$

$Rr$  is rolling resistance, where the type of tyre will influence its value, but there is a standard equation of rolling resistance and represented as follow.

$$R_r = (a + b v) m g \cos \theta \quad (10)$$

The drag resistance,  $Rg$ , represent road gradient in the form of

$$R_g = mg \sin \theta \tag{11}$$

And the last term is acceleration resistant which equal to:

$$R_i = m \frac{dv}{dt} \tag{12}$$

### 3.0 NEURAL NETWORK ARCHITECTURE

An artificial neural network consists of a number of very simple and highly interconnected processors, also called neurons, which are analogous to the biological neurons in the brain. The neurons are connected by weighted links passing signals from one neuron to another. Each neuron receives a number of input signals through its connections: however, it never produces more than a single output signal. The output signal is transmitted through the neuron's outgoing connection, which in turn, splits into a number of branches that transmit the same signal.

The single unit of the neural network (also called a neuron, or perceptron) is just a function applied to the weighted sum of inputs. The perceptron shown in Figure 3, implements the function:

$$Y = f \left( \sum_{i=0}^n w_i x_i + b \right) \tag{13}$$

where  $f$  is the activation function,  $w_0$  is the constant threshold value (called weighting factor), and  $b$  is a bias. Even a specific network structure and the activation function for each unit are given, the expressive power of the neural network would be meaningless, unless can figure out the correct weights for the connection. Fortunately, there is an algorithm called back-propagation that allows the network to learn the weights [10]. Usually, the neuron in the back-propagation network uses a sigmoid activation function, which is simple equation. The sigmoid activation function is expressed as:

$$Y^{sigmoid} = \frac{1}{1 + e^{-x}} \tag{14}$$

The learning in the neural network works by back-propagating [11] the error that occurs at the output units. At each step, an input is presented to the network and the output is compared to the correct target value. The weights of the units and bias are then readjusted so as to minimise the error they have made. The error is defined as the sum of square errors over all output units and it is expressed as:

$$E_t = \frac{1}{2} \sum_{i \in outputs} (r_i - o_i)^2 \tag{15}$$

where  $t$  is the number of iteration. Consider to above neural network architecture, Figure 3, the following algorithm is to adapt the weights between the output (l) and hidden (k) layers:

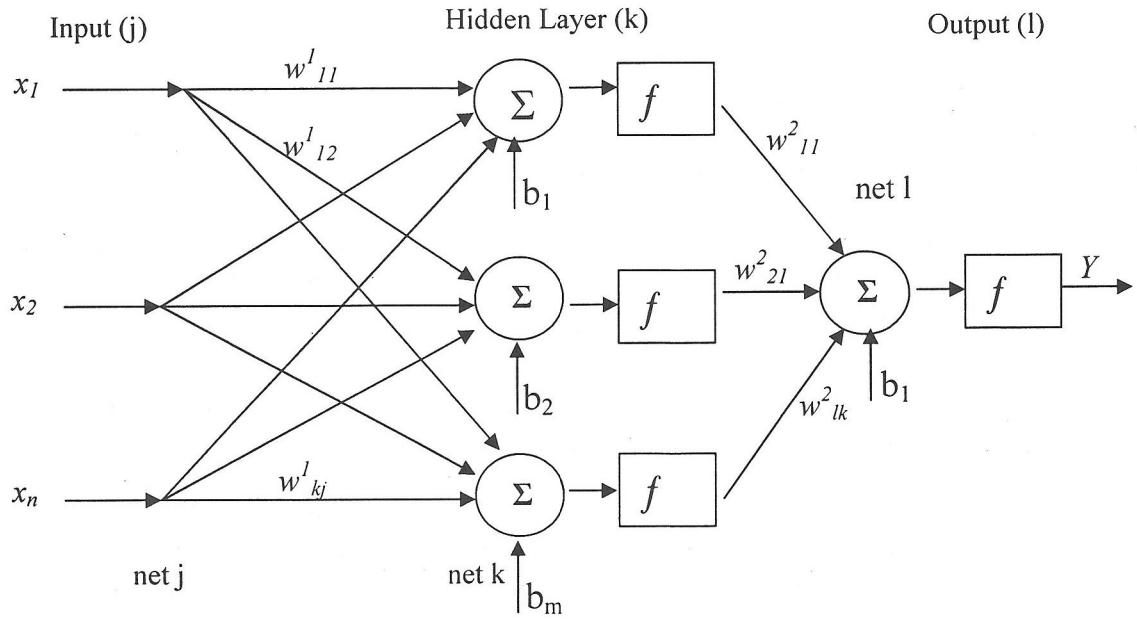


Figure 3: A layered structure of perceptions

$$w_{lk}(t+1) = w_{lk}(t) + \Delta w_{lk}(t+1) \quad (16)$$

where  $\Delta w_{lk}(t+1) = \alpha \Delta w_{lk}(t)$  (17)

and  $\Delta w_{lk} = \frac{\partial E}{\partial w_{lk}}$  (18)

Expanding the expression by chain rule, equation 18 become

$$\frac{\partial E}{\partial w_{lk}} = \frac{\partial E}{\partial net_l} \frac{\partial net_l}{\partial w_{lk}} \quad (19)$$

Let  $\frac{\partial E}{\partial net_l}$  be  $\delta_l$ , which is the error signal

Since  $net_l = \sum_k w_{lk} O_k + b_l$ , where  $O_k$  is the output of hidden layer k,

$$\therefore \frac{\partial E}{\partial w_{lk}} = \delta_l O_k \quad (20)$$

Here  $\delta_l$  is the error signal from the neural network output to the hidden layer. By chain rule again:

$$\delta_l = \frac{\partial E}{\partial net_l} = \frac{\partial E}{\partial O_l} \frac{\partial O_l}{\partial net_l} \quad (21)$$

since  $O_l = f(net_l) = \frac{1}{1 + e^{-net_l}}$

$$\text{thus } \frac{\partial O_l}{\partial net_l} = \frac{\partial}{\partial net_l} \left\{ (1 + e^{-net_l})^{-1} \right\} = -(1 + e^{-net_l})^{-2} [-e^{-net_l}] \quad (22)$$

substituting  $e^{-net_l} = \frac{1 - O_l}{O_l}$  into equation 21 to get

$$\frac{\partial O_l}{\partial net_l} = \frac{1}{(1 + e^{-net_l})^2} \frac{1 - O_l}{O_l} = O_l^2 \frac{1 - O_l}{O_l} = O_l(1 - O_l) \quad (23)$$

since  $E = \frac{1}{2}(r_l - O_l)^2$

$$\text{therefore } \frac{\partial E}{\partial O_l} = -(r_l - O_l) \quad (24)$$

Equation 21,  $\delta_l$  which is the error signal between layer k and l becomes:

$$\delta_l = -(r_l - O_l)O_l(1 - O_l) \quad (25)$$

thus equation 17 becomes

$$\Delta w_{lk} = (r_l - O_l)O_l(1 - O_l)O_k \quad (26)$$

Similar rule to the hidden layer and output layer, the adaptation of weights between hidden (k) and input (j) layers have the value of:

$$w_{kj}(t+1) = w_{kj}(t) + \Delta w_{kj}(t+1) \quad (27)$$

where  $\Delta w_{kj}(t+1) = \alpha \Delta w_{kj}(t) \quad (28)$

$$\text{and } \Delta w_{kj} = \delta_l w_{lk} O_k (1 - O_k) O_j \quad (29)$$

Substitute with equation 24, equation 28 becomes

$$\Delta w_{kj} = -w_{lk} (r_l - O_l) O_l (1 - O_l) O_k (1 - O_k) O_j \quad (30)$$

By adapting the weights and bias, the error between the threshold and the output can be minimised. In this paper, the NN will be applied to the vehicle plant to control the CVT ratio so that the actual engine speed will follow the engine reference. The equation 5, for vehicle model with dynamic motion, is used to develop control strategy which will be explained in the next sub-chapter.

#### 4.0 PROPOSED CONTROL SCHEME

Simulink tools were used to simulate the above equation. Figure 4, represent simulation model based on equation derived in the sub chapter 2.0. The drive train plant could be simplified model as seen in Figure 4.

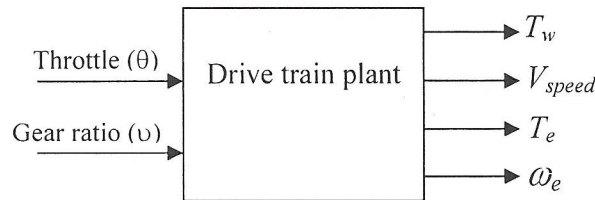


Figure 4: Vehicle dynamic plant

As in the real system, to control vehicle speed the driver has to press the pedal as well as changing the gear ratio. In this simulation, the author tries to simulate drivetrain system closed to the real, so the inputs of drivetrain model are throttle opening and gear ratio.

Based on the equation 3 where  $\nu \omega_w = \omega_e$  and  $T_e$  was function of  $\omega_e$  and throttle opening,  $\theta_{throttle}$ , it could be understood that behavior of the engine speed depend on gear ratio as throttle opening remain constant.

When the throttle opening was kept at constant value:

The engine speed  $\omega_e$  would increase while the gear ratio  $\nu$  increases

The engine speed  $\omega_e$  would decrease while the gear ratio  $\nu$  decreases

The basic control scheme the author proposed is described in the Figure 5. The control scheme must take by necessity both a macroscopic view by examining the interaction of the engine-EMDAP-CVT-load dynamics as well as the driver intentions and road condition, and microscopic view of individual EMDAP-CVT subsystems and subassembly with respect to ratio control. For this project, the



macroscopic controller is suitable to use intelligent controller rather than classical controller. Because in this section interaction between vehicle, engine and road gradient have highly non linear.

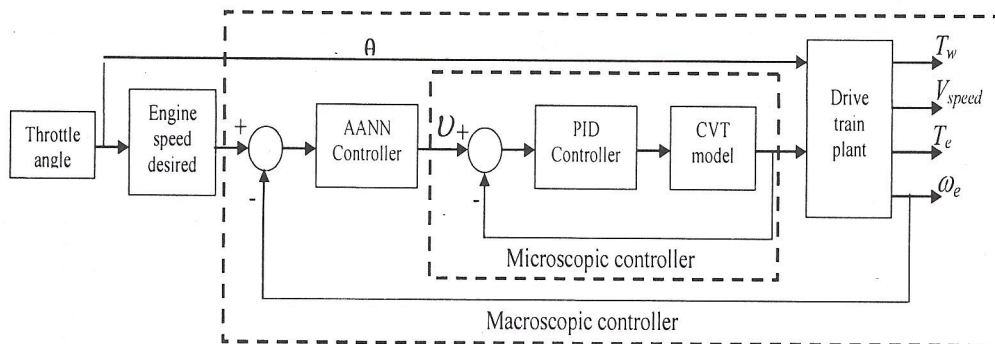


Figure 5: Proposed control scheme

The engine speed desired could be plotted based on optimum control line or engine speed at maximum power or maximum torque in engine power map. Engine power map could be carried out experimentally as shown in Figure 6. The engine 660 cc Daihatsu was coupled with hydro water break dyno as load variator. The opening throttle angle,  $\theta_{throttle}$  was set at constant angle and hydro water break dyno was loaded, hence the engine torque could be plotted by using data acquisition system.

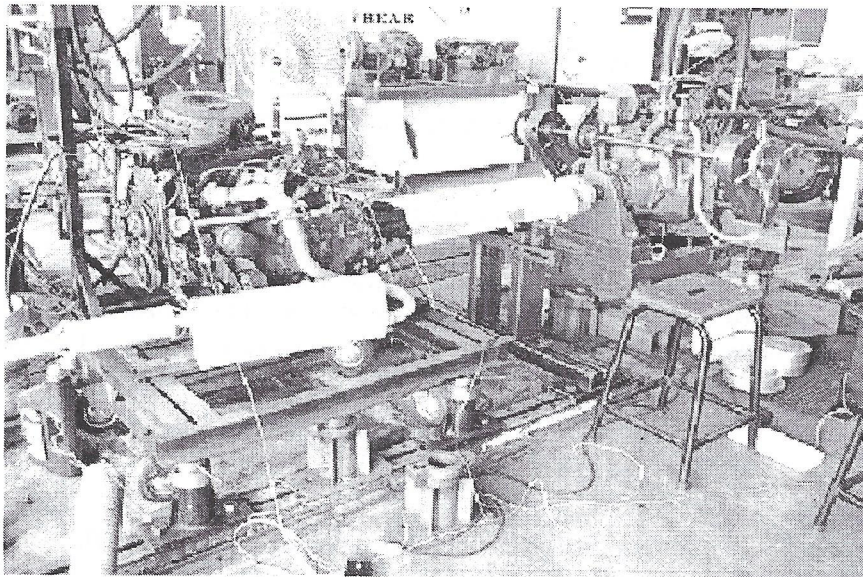


Figure 6: Experimental rig of 660 cc Daihatsu engine with Hydro water break dyno as load factor

Figure 7 shows the experimental results of engine torque uses 660 cc Daihatsu engine. Every line in the graph represents torque of engine for certain throttle opening and start from very small throttle angle, 3%, up to 99.9%. This graph was applied to the model plant by equation 6 and equation 5 became drivetrain plant with gear ratio,  $\nu$ , throttle angle,  $\theta_{throttle}$ , and engine speed,  $\omega_e$ , as input. By controlling gear ratio,  $\nu$ , the engine speed can be maintain constant on its trajectory.

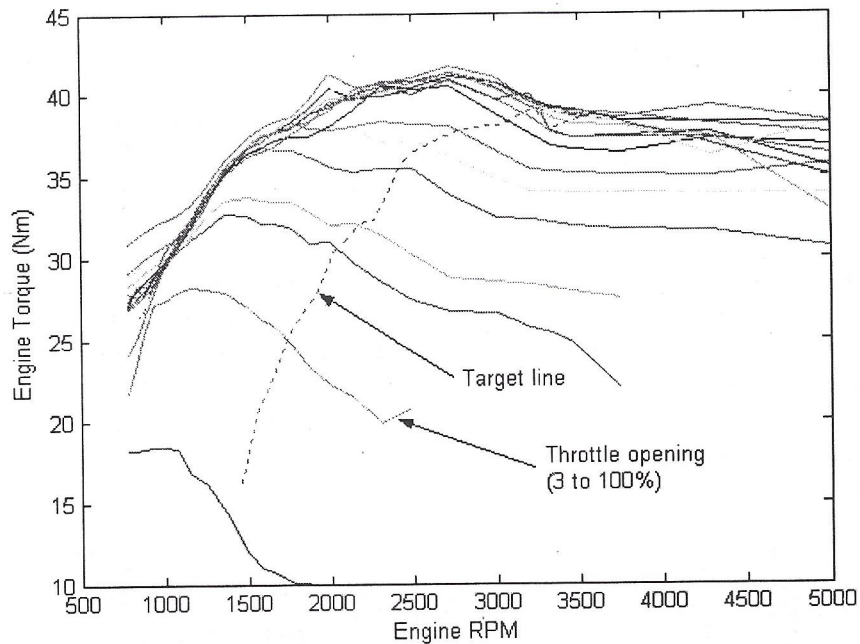


Figure 7: Engine 660 cc Daihatsu torque performance

The online adaptive neural network is applied to find out the suitable CVT ratio. The error between the output and the reference will then be sent back to adjust the weights and bias by back-propagation rule. The result of controller is the ratio desired and will be sent to CVT inner controller as desired ratio. This ratio then compensates a torque delivered by the engine to the wheel so that the engine runs closed to engine speed desired.

## 5.0 RESULTS AND DISCUSSION

The engine output torque is the function of engine throttle opening,  $\theta_{throttle}$ , and its speed  $n_e$ , which is modelled as numerical table through the calibrated experimental at certain condition, Figure 7. In this simulation, the target line is represented with 3<sup>rd</sup> order polynomial:

$$n_e = c_1 \theta_{\text{throttle}}^3 + c_2 \theta_{\text{throttle}}^2 + c_3 \theta_{\text{throttle}} + c_4 \quad (31)$$

where  $c_1 = -0.00000098825264$ ,  $c_2 = -0.00023266280965$ ,  $c_3 = 0.05409118539876$  and  $c_4 = 1.19385322086360$

The design criterion for the ANN controller is to maintain engine speed at desired engine speed i.e. target line based on the opening throttle angle,  $\theta_{\text{throttle}}$ . To evaluate the performance of the ANN controller, the engine speed was adjusted by setting throttle angle,  $\theta_{\text{throttle}}$ , at certain value or plot the  $\theta_{\text{throttle}}$  according to sinusoidal line, Figure 8 (a) top, equation 30, which would calculate the engine speed desired, had value such as plotted in Figure 8 (a) bottom.

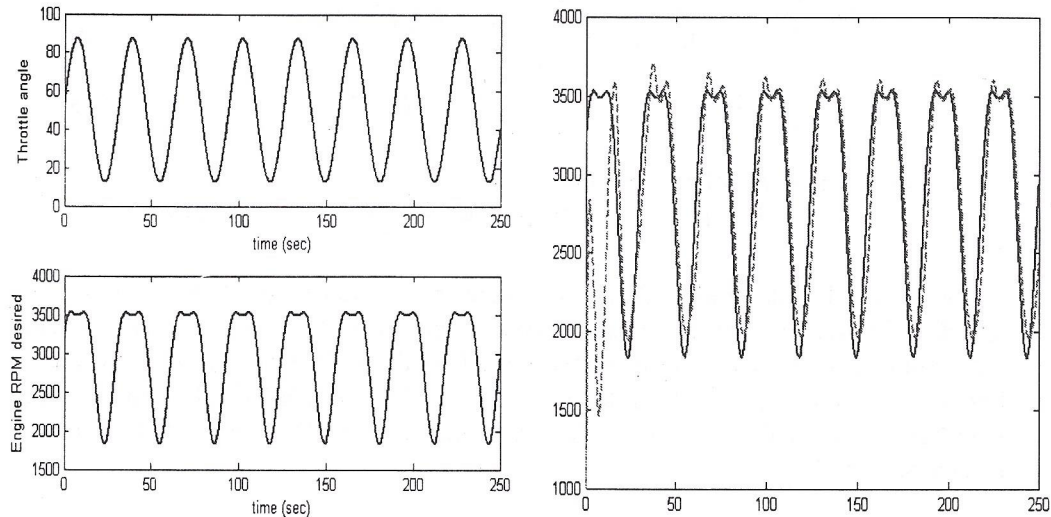


Figure 8: (a)Simulation on throttle angle and engine RPM desired  
 (b)Simulation results of online ANN with learning rate,  $\alpha$ ,  
 0.0000000875

In order to explore the working of the back propagation, which was applied, to online ANN, the author adjusted various learning parameters until a number of learning rates had obtained. To find the exact learning rate, which can be used in difference set point, the author had try to applied in 2 difference situation. Firstly, the set point of engine speed was based on the sinusoidal line between 15% to 90% throttle opening then calculate with 3<sup>rd</sup> order polynomial, equation 30, the engine speed was obtained as engine speed referent, Figure 8(a). With learning rate,  $\alpha$ , of 0.0000000875 the results shown that the actual engine speed can follow the referent after 20 sec, Figure 8(b).

The responses of the starting vehicle to move was slow almost 20 sec before steady state. In the reality, starting the vehicle to move will use another controller and will not be discussed in this work. Figure 8(b) shows that when the engine speed is in the top of graph before slowing down or in the bottom graph before it is speed-up, the error is high as seen in Figure 9(a). This phenomenon caused by the changing direction of DC motor in the inner CVT controller as seen in Figure

9(b). Because the gear ratio between motor to the power screw used in the CVT is high (1:128.57), the response of power screw to return is slow.

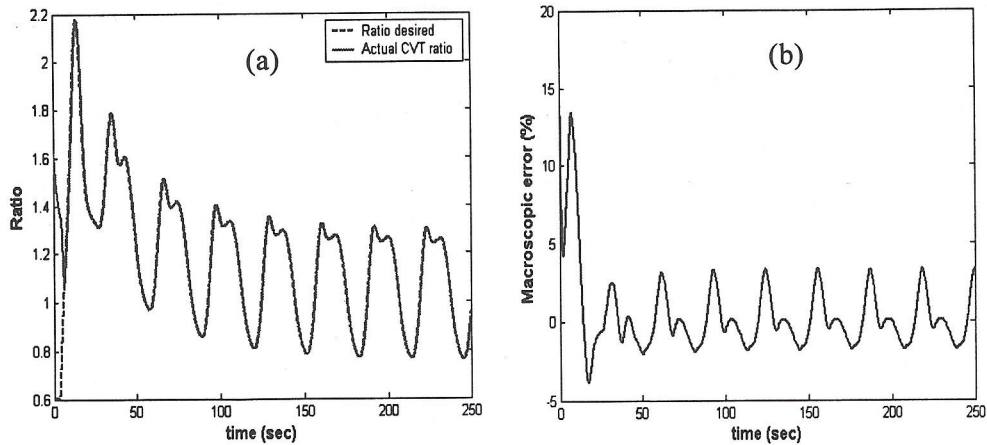


Figure 9: (a) Macroscopic error  
(b) Response of microscopic CVT controller using PID

Secondly, throttle angle,  $\theta_{throttle}$ , was kept in constant value, hence the engine speed reference remain in constant value, and then the road gradient in the simulation was set based on the highway road condition that average road gradient between 3-5%, Figure 10. With learning rate,  $\alpha$ , of 0.0000000875, the result of the simulation shown that the controller was able to keep the engine speed in its reference condition.

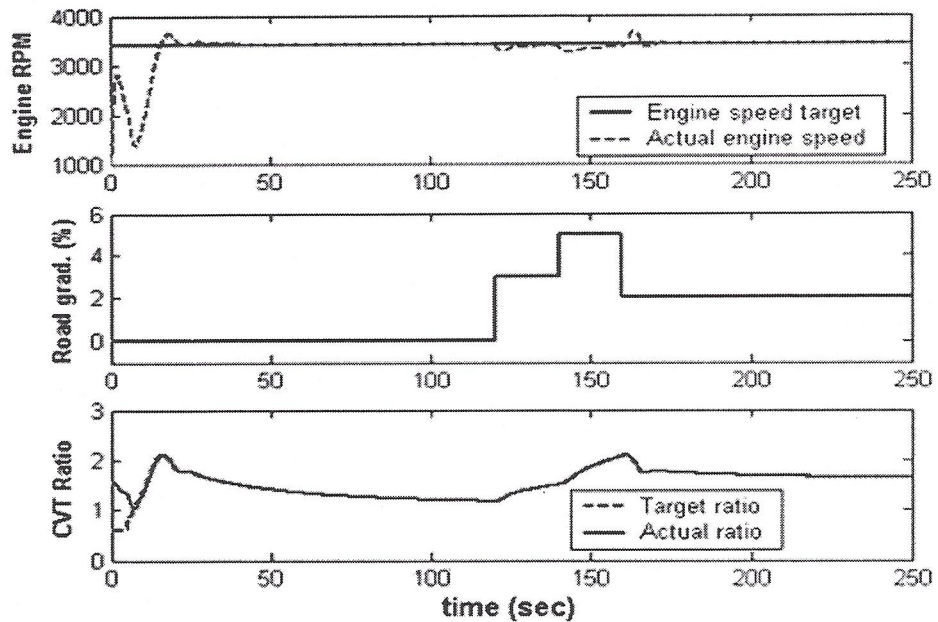


Figure 10: Response of online ANN with different road gradient

## 6.0 CONCLUSION

The control strategy for CVT ratio control to maintain engine speed follow a desired engine speed has been developed. Online ANN is used to control behaviour between the engine and vehicle dynamic due to road condition, whereas the PID is used to control inner CVT ratio by controlling two DC motor synchronously to achieve its ratio desired. The control model is implemented in Matlab/Simulink environment and is capable of simulating ratio and engine speed during ratio change due to external disturbance such as road gradient. This serial control is working well and it is clear that online ANN is able to maintain engine speed to its referent by changing the ratio of the CVT.

## ACKNOWLEDGEMENTS

The authors thank the financial supported by Ministry of Science through the IRPA programs for giving us the budget to do this research. Thanks to Automotive Laboratory to provide equipment for testing the engine performance and staffs of the Automotive Laboratory who give us very kind help.

## NOMENCLATURES

$\rho$	Air density (kg/m <sup>3</sup> )
$\theta$	Slope of road gradient (%)
$\nu$	Transmission ratio
$\omega_e$	Engine angular speed (rad/s)
$\omega_w$	Wheel angular speed (rad/s)
$A$	Frontal area of the vehicle (m <sup>2</sup> )
$a$	Tire cornering stiffness parameter
$b$	Tire cornering stiffness parameter
$b_n$	Bias factor of neural network
$Cd$	Coefficient of drag
$E$	Error of the neural network
$f$	Activation function
$I_e$	Engine Inertia (kg m <sup>2</sup> )
$I_w$	Vehicle Inertia (kg m <sup>2</sup> )
j,k,l	Hidden layer
$m$	Vehicle mass (kg)
$O$	Output of perceptron
$r$	Radius of tyre (m)
$Ra$	Aerodynamic vehicle resistance (N)
$Rg$	Drag resistance (N)
$Ri$	Vehicle resistance due to vehicle acceleration (N)
$Rr$	Rolling resistance (N)
$T_{cv,w}$	Output CVT torque (Nm)
$T_e$	Engine Torque (Nm)

$T_{e, cvt}$	Input CVT torque (Nm)
$T_w$	Torque on wheel (Nm)
$v$	Vehicle speed (m/s)
$w_n$	Weight factor of neural network
$x_n$	Neural Network Input
$Y$	Output of neural network
$net, S$	Weighted summer

## REFERENCES

1. Guzzella, L. & Schmid, A., 1995, *Feedback Linearisation on Spark-Ignition Engines with Continuously Variable Transmission*, IEEE, Swiss Federal Institute Of Technology (ETH), Zurich, Switzerland, P 54-60.
2. Liu, S. and Anna, G. Stefanopoulou, 2002, *Effects of Control Structure on Performance for an Automotive Powertrain With a Continuously Variable Transmission*, IEEE Transactions on Control Systems Technology, vol. 10, no. 5, September.
3. Fuchino, M., Ohsono, K., 1996, Development of Fully Electronic Control Metal Belt CVT, *SAE Technical Paper Series 9636286*.
4. Hongyan, W., Yunshan, Z., Boying, Z., Xiding, Q., 1999, Research on Integrated Control Strategy of CVT for Passenger Cars, *Proceedings of the American Control Conference*, Arlington, VA June.
5. Kolmanovsky, I., Sun, J., Wang, L., 1999, Coordinated Control of Lean Burn Gasoline Engines with Continuously variable Transmission, *Proceedings of the American Control Conference*, San Diego, California, USA, p. 2673-2677.
6. Liu, S., Paden, B., 1997, A Survey of Today's CVT Controls, *Proceeding of the 36th Conference on Decision and Control*, San Diego, California USA, December, p. 4738-4743.
7. Hongyan, W., Yunshan, Z., Boying, Z., Xiding, Q., 1999, Research on Integrated Control Strategy of CVT for Passenger Cars, *Proceedings of the American Control Conference*, Arlington, p. 401-405.
8. Foley, D.C., Sadegh, N., Barth, E.J. and Vachtsevanos, G.J., 2001, Model Identification and Back stepping Control of Continuously Variable Transmission System, *Proceedings of the American Control Conference*, Arlington, June, p. 4591-4596.
9. Setlur, P., Wagner, J.R., Dawson, D.M. and Samuels, B., 2001, Non-linear Control of a Continuously Variable Transmission (CVT) for Hybrid Vehicle Power trains, *Proceedings of the American Control Conference*, Arlington, p. 1304-1309.
10. Rumelhart, D.E., Hilton, G.E. and Williams, R.J., 1986, *Learning Internal Representations by Error Propagation*. In Rumelhart, D.E. and McClelland, J.L.(editor), *Parallel Distribution Processing: Explorations in the Microstructure of Cognition*, chapter 8, MIT Press, Cambridge, MA. and London, England.
11. Bryson, A.E. and Ho, Y.C., 2001, *Applied Optimal Control*, Blaisdel, New York.