

RETROFITTING OF AUXILIARY COMPONENTS TO ENHANCE THE PERFORMANCE OF A SINGLE-CYLINDER, AIR-COOLED GASOLINE TWO-STROKE ENGINE

Azhar Abdul Aziz*
Zulkarnain Abdul Latiff
Mas Fawzi Mohd Ali
Mohd. Farid Mohammad Said
Mazlan Said

Automotive Development Centre (ADC)
Faculty of Mechanical Engineering
Universiti Teknologi Malaysia (UTM)
E-mail: azhar@fkm.utm.my

ABSTRACT

A unique stepped-piston engine was developed by a group of researchers at UTM. The development work engulfs design, prototyping and testing over a predetermined period of time. The aim is to demonstrate environmental-friendly capability producing comparable output with low-fuel consumption. In its carbureted version, it incorporates a three-port transfer system and a dedicated crankcase breather. These features will enable the prototype to have high induction efficiency and to behave very much a two-stroke engine but equipped with a four-stroke crankcase lubrication system. In the final stage of development it was subjected to a series of laboratory trials for actual performance evaluations. In an effort to further enhance its technology features, the researchers have embarked on the development of an add-on auxiliary system. The system comprises of an engine control unit (ECU), a direct-injector unit, a dedicated lubricant dispenser unit and an embedded common rail fuel unit. This support system was incorporated onto the engine to demonstrate the finer points of environmental-friendly and fuel economy features. The outcome of this complete package is described in the paper, covering the methodology and the final characteristics of the mobile power plant.

Keywords: *Stepped-piston, gasoline direct-injection (GDI), two-stroke, injector and single-cylinder.*

1.0 INTRODUCTION

Two-stroke engines have been in used for sometimes in automotive and stationary applications since early 1900. The advantages of two-stroke engines are i) lighter, ii) simpler and iii) less expensive to manufacture. Two-stroke engines also have the potential to pack almost twice the power into the same space because there are twice as many power strokes per revolution. The combination of lightweight and twice the power gives two-stroke engines a great power-to-weight ratio compared

* Corresponding author: E-mail: azhar@fkm.utm.my, Tel: +607-5534566, Fax: +607-5566159

to many four-stroke engine designs. However due to the short-circuiting of the fuel before combustion, this has resulted in deterioration in overall performances especially poor combustion efficiency and high white smoke emission problem. Coupled with the improvement in the four-stroke engine technology, the former has overcomes the latter in being the choice for mobile platform applications. With the problem of high fuel cost and the need to explore the use of other fuel sources, most notably hydrogen, the two-stroke engine design has been revisited by a number of researchers and engine developers where hydrogen utilization is said to be ideal for use with the incorporation of some new features [1].

An engine design and development program was initiated in UTM (2002 to 2005) to develop local R&D capabilities in small power-train engineering. The exercise evolved around the development of an air-cooled single cylinder stepped-piston engine concept. The changes to the original design were made, as there were rooms for improvements. In addition the modifications are able to provide innovative scope of work from design to testing activities [2]. The program eventually leads to the incorporation of features, which will enhance its performance as well as emission. This is in anticipation of producing a working prototype with multiple non-automotive and automotive platform applications.

The gasoline stepped-piston engine is a relatively new design concept for small mobile power plants. It is an engine that operates on a two-stroke cycle but is infuses with four-stroke engine features. It has a build-in supercharger mechanism that improves the scavenging process thus improve combustion efficiency. As a result of these operating characteristics, the engine has all the attributes of a low emission, high-efficiency power plant that eliminates many of the major weaknesses associated with the Otto four-stroke engine and with modern two-stroke engines.

2.0 ENGINE CONCEPT

The earlier work on stepped-piston engines was acknowledged as that of Bernard Hooper as in [1]. The unique feature lies in the piston geometry i.e. two concentric pistons combined into one solid piece.

Figure 1 (a) and (b) illustrate the engine design in detail. The double diameter pistons work inside a cylinder, which is correspondingly bored to two different diameters, the smaller providing a normal piston-ported 2-stroke cylinder and combustion chamber and the larger creates the annular pumping chamber. The intake charge is drawn into the annual space through a reed valve, which will close automatically when the piston reaches BDC and starts to ascend again. It is then discharges through the transfer ports into the combustion chamber of the other cylinder, scavenging any exhaust residuals in the process, until the exhaust ports are closed by the rising piston and compression starts.

Figure 2 illustrates the configuration made by the UTM researchers on the single cylinder stepped-piston design by passing through a parallel arrangement of intricate portings, leading to the main combustion chamber.

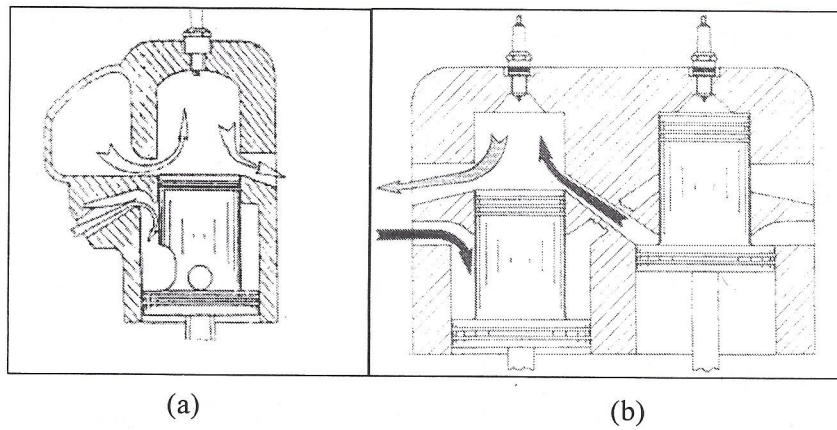


Figure 1: (a) Single-cylinder and (b) multi-cylinder arrangements [2]

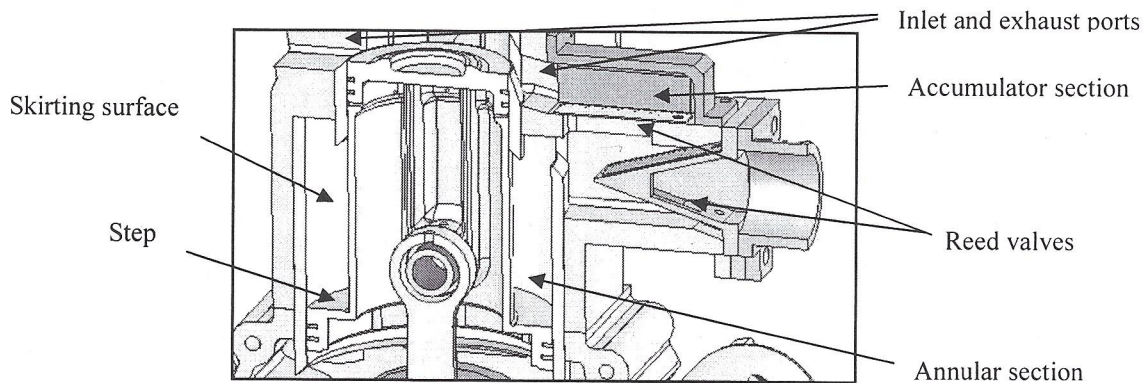


Figure 2: The cross-sectional area of the engine

The step and the skirting surface of the piston combined to act as a pump to induce fresh mixture during expansion stroke. During the compression-stroke the induced mixture will be compressed and will be forced through a set of reed valves and via the transfer ports into the main combustion chamber. When the piston surface covers completely the inlet ports, the trapped air in the annular section will be guided to a set of simple accumulators (not shown), which will dampen the pressure surge. The air, which is trapped, will expel completely the exhaust gas of the previous cycle.

In the effort to enhance the overall performance some innovative changes were made to the earlier design proposed by Hopper (refer Figure 1). The changes are i) a three-port transfer system ii) a shallow bowl-in-piston geometry, iii) an engine electronic control unit, iv) gasoline direct-injection (GDI) fueling system and v) a crankcase breather. The fuel injector is positioned centrally and perpendicular to the piston surface. The spark plug is positioned 30° in relation to the vertical axis. This geometrical location of the injector and the spark plug provide the ideal configuration in providing a stratified-charge combustion feature, if lean-burn combustion strategy is to be use effectively in this engine. The detail of the design

changes, the overall engine features and its specifications are given in Figure 3, Figure 4 and Table 1 respectively.

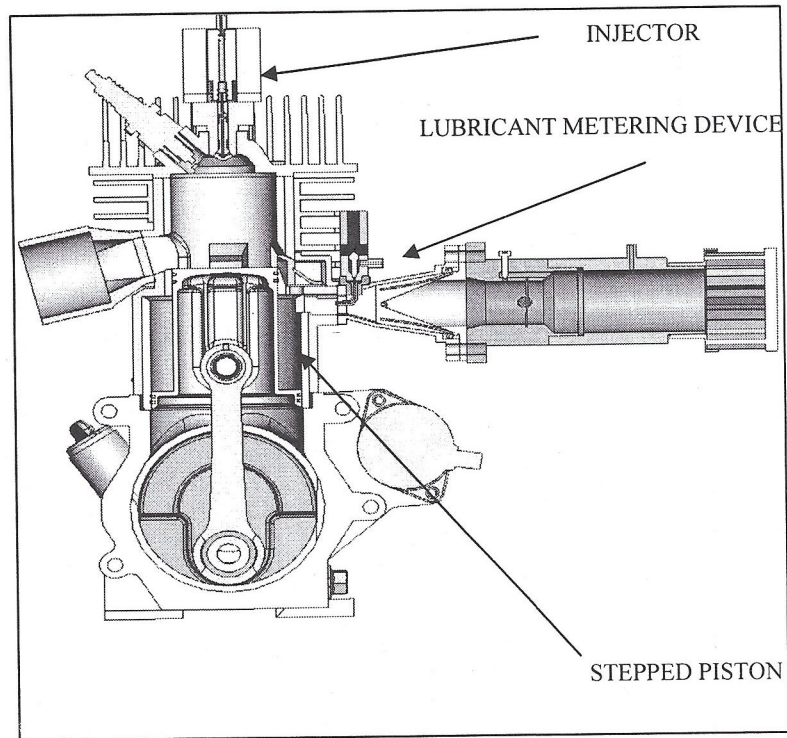


Figure 3: The stepped-piston engine cross-sectional area

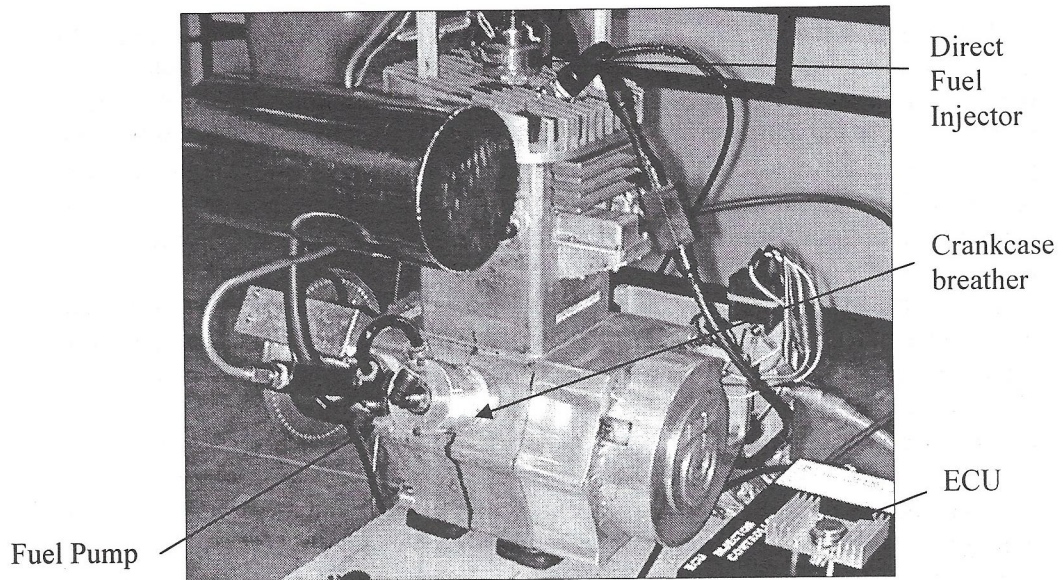


Figure 4: Engine with auxiliary components

Table 1: General engine specifications

Parameter	Size/Feature
Capacity (cc)	125
Bore (mm)	54.2
Stroke (mm)	54.2
Compression ratio	9.6
Ignition system	Capacitive-Discharge
Fuel/scavenging system	Direct-fuel injection/ multi-port loop scavenge
Cooling	Air-cooled
Starting	Starter motor
Max. power, kW@rpm	7.6@7500
Calc max. torque, Nm@rpm	12.5@5000
Power-weight ratio (kW/kg)	0.46

3.0 ENGINE SUB-SYSTEMS

This improvised version features the incorporation of the following in-house technologies:

Lubricant-dispensing unit. This is a built-in unit incorporated in the engine crankcase and synchronized with the engine crankshaft. Its sole purpose is to dispense an exact amount of lubricant onto the surface of the piston skirt. It is important to highlight that the metering is done not for every engine cycle but periodically. In doing so, will minimize the ‘carry-over’ effect of the lubricant into the combustion chamber thus drastically reduce the emission of heavy unburnt hydrocarbons. The engine’s electronic control unit controls the timing for the dispensing.

Breather unit. The purpose of its installation is to trap the carry-over in the air charge of the engine crankcase during operation. Since the engine partially behaves like a four-stroke engine, the lubricant in the crankcase is periodically subjected to induction (via vent hole) and compression. As such crankcase air will leave the crankcase with substantial amount of lubricant with it. Very soon the lubricant will be left to a minimum level and this will be catastrophic to the moving parts within the crankcase. To avoid this a dedicated breather unit was constructed and upon extensive evaluation was found to have a trapping efficiency of 99.3%.

Electronic Fuel Injector Controller (EFIC). The unit is designed as a compact unit and installed directly to the engine. It contains a printed circuit board (PCB) with electronic components. The CPU with onboard RAM and ROM will minimize the interface components. Pulse width modulation (PWM) for the fuel injector is done by a timer, which has been programmed to control the output pulse width. A multi terminal plug connects the EFIC to its sensors, injector, as well as to its power supply. The EFIC must withstand high temperature, humidity and physical stresses. The input signals for this EFIC are the engine speed, top dead center (TDC) marking and manifold absolute pressure (MAP). The MAP will be calibrated with the air-fuel-ratio (AFR) through experimental results. Performing thorough engine testing does the calibration process. The results then will be used as a look-up table, which will be programmed within the EFIC. Through sensors input, the best AFR will then be defined and correct mass of fuel will be injected to the combustion chamber. The amount of fuel injected will be control by PWM (output of the EFIC), which actuate the injector solenoid.

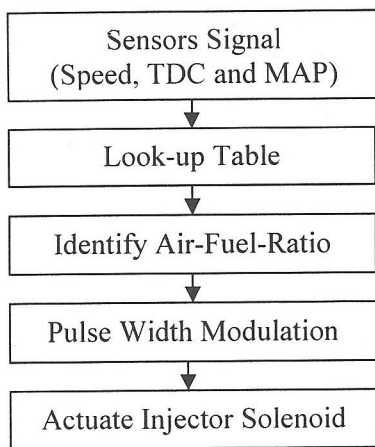


Figure 5: EFIC Flowchart Figure 6: The prototype gasoline direct-injector

Fuel injection system. Figure 6 shows the gasoline direct injector developed for the engine. It consists of solenoid, casing, spring, needle, swirler, nozzle and lock. It features a hollow cone spray and capable of generating less than 20 micron droplet size. Also shown (Figure 7) is the dedicated direct fuel-injection system for the prototype engine. Here the fuel is pressurized by an axial-type mechanical pump, which is driven via the engine crankshaft. A pressure relief valve is attached to the high-pressure fuel line to maintain the fuel pressure at 5.0 MPa while excessive fuel is returned back to gasoline tank. To reduce the fluctuation of the fuel pressure, a small fuel accumulator is also attached to the high-pressure fuel line. The fuel injector used is a prototype pressure-swirl injector with a static flow rate of 480 cc/min rated at 5.0 MPa. The spray produced by this type of injector is a hollow-cone and its nominal spray half-cone angle is 32°. The injector is driven by control module located in the Electronic Fuel Injector Controller (EFIC). Connected to the EFIC are i) speed sensor, ii) crank angle sensor, and iii)

manifold absolute pressure (MAP). These sensors serve as input parameter for the EFIC to determine the correct injection timing and pulse width at any speeds.

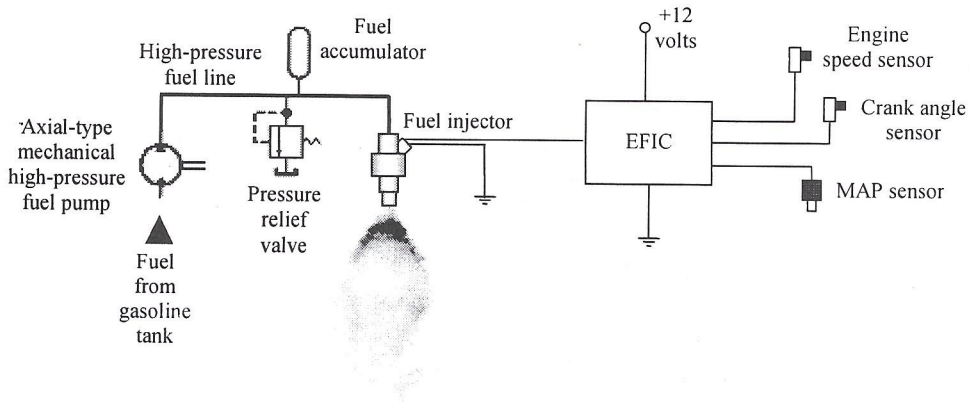


Figure 7: The schematic of the direct fuel injection system

4.0 ENGINE PERFORMANCE SIMULATION

Engine development is a long and a strenuous process and must be done discretely, and leaves no margin for failure as this will result in lost of valuable time and money in view of the tight timeframe given to the research group to accomplish its target. With this in mind a one-dimensional engine development software i.e. the *GT-Power*TM was exhaustively and iteratively used. Figure 8 illustrates the engine's components representation used to enable performance prediction be made. One obvious advantage of adopting this approach lies in its ability to validate components design. Currently there are seventy-six components of various sizes that make up the engine proper.

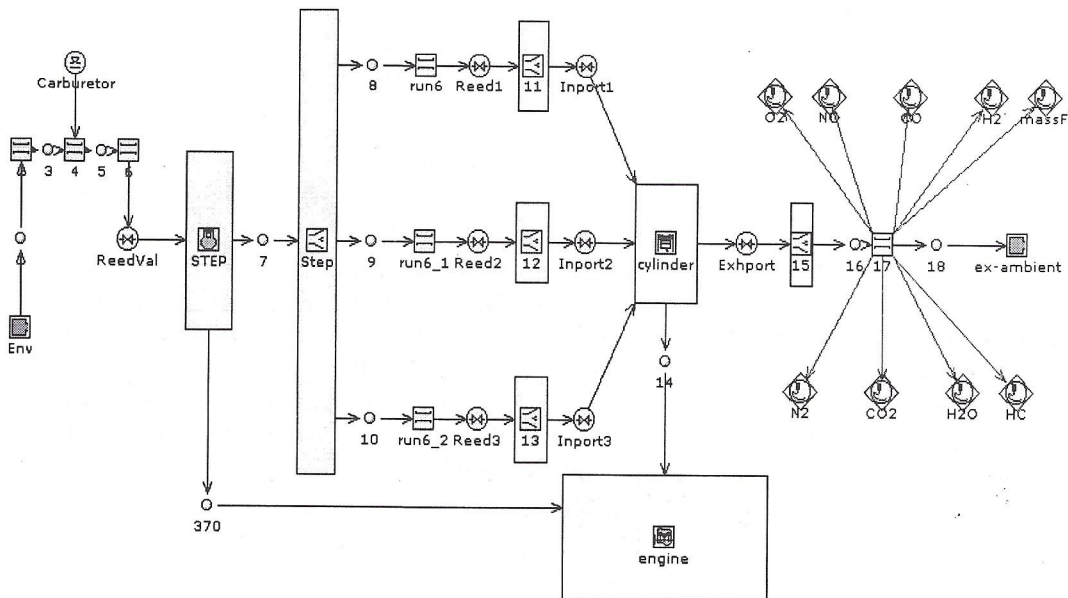


Figure 8: Iconic representation of components within the engine system using *GT-Power*TM

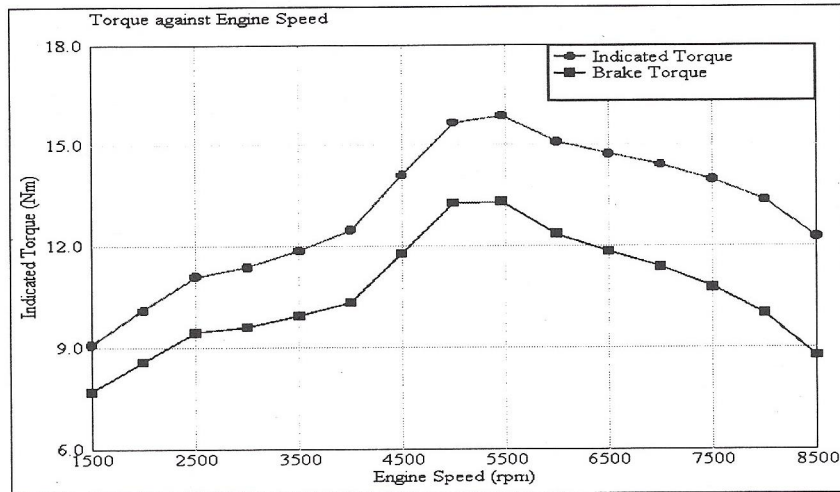


Figure 9: Simulated results for torque

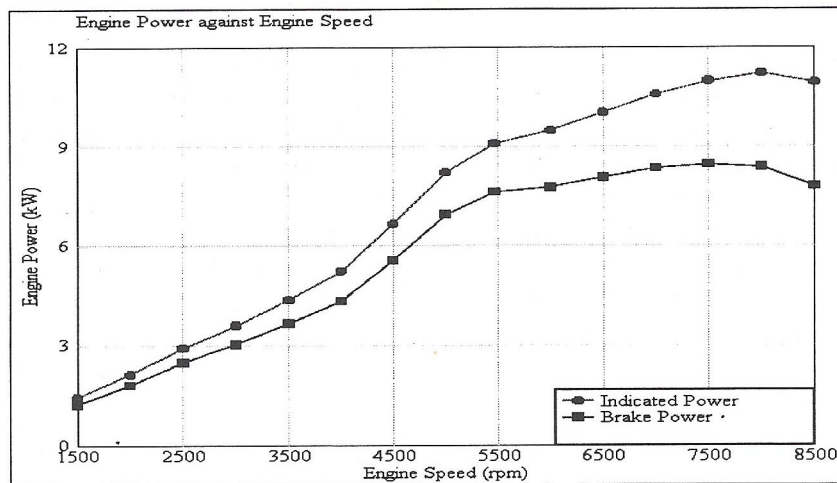


Figure 10: Simulated engine output

Figure 9, 10 and 11 illustrate the simulated results of the major engine performance parameters (i.e. torque, brake power and specific fuel consumption), from the work done using the engine simulation tool. These graphs illustrate the comparative evaluation between *indicated* and *brake* outputs, which imply the computational results of in-cylinder and output shaft parameters respectively subjected to a full load condition. Here the results are comparable to the outputs of many engines of similar types (two-stroke). Based on these indicators the prototyping activities were subsequently initiated.

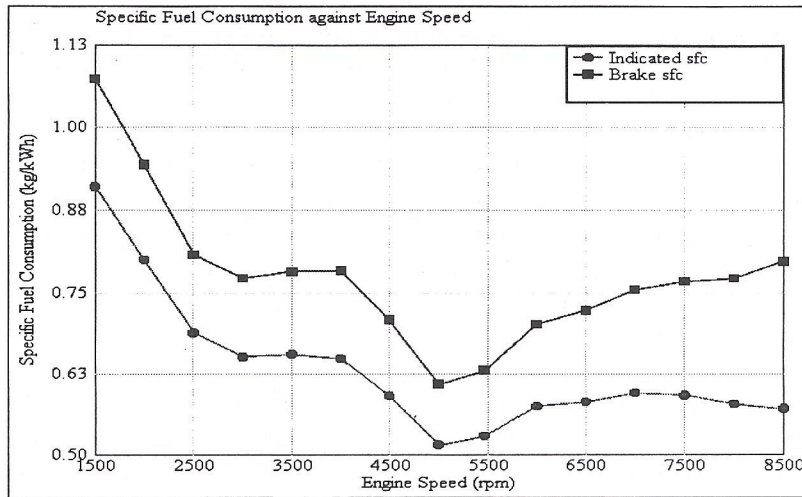


Figure 11: Simulated specific fuel consumption

5.0 LABORATORY TRIALS

A 19-inch rack exhaust gas analyzer system (*TOCSIN IGD 300*), complete with a 3-meter sampling probe was used for emissions measurements. The prototype engine was directly coupled to an eddy-current *MAGTROL* dynamometer equipped with a load controller. The engine, dynamometer and other auxiliary items are mounted on a seismic steel bed (2m x 4m) to cushion the excessive engine vibration emitted during the trial. Fuel consumption measurements were made using a precision *Ono Sokki* gravimetric fuel flow meter (the FP series, DF 0400/FM-2500). The BS 7698-1: 1993 standard for reciprocating engine test was used in the evaluation of engine performance parameters. The emission tests were conducted in parallel to the experimental work on the engine. Figure 12 illustrates the overall laboratory setup.

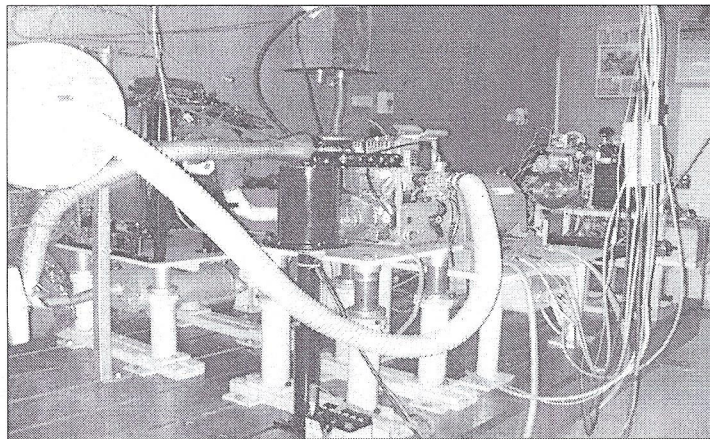


Figure 12: The Experimental set-up

The results of the experimental engine evaluation are shown in Figure 13 and 14 respectively. Again these are results taken when the engine was subjected to full engine load. Figure 13 (a) indicates the profiles of specific fuel consumption parameter for the two engine versions. The results indicate the improvements made in fuel consumption, ranging from 5% to 7%, when the engine is equipped with the GDI fuelling system. This goes to explain that a small quantity of fuel saving can be made when precise metering is made with delivery directly into the engine's combustion chamber. The incorporation of the fuel injection system has also resulted in the improvement in the engine output, particularly from the mid-speed range onwards as shown in Figure 13 (b).

With gasoline engines combustion the critical emission by-products are i) carbon monoxide (CO) and unburned hydrocarbon. These parameters were observed based on the numerous data gathered. With the incorporation of the injector unit onto the engine and with precise timing and metering the reduction of these two emission parameters is obvious. Reduction of CO concentration ranges from 25% to 30% from low to high speed (Figure 14 (a)). Similarly the reduction in unburned hydrocarbon emission (Figure 14 (b)) is also pronounced. The reduction of these two toxic components of the emission is attributed to i) high utilization of air for combustion, ii) improve combustion efficiency and iii) reduction in fuel loss.

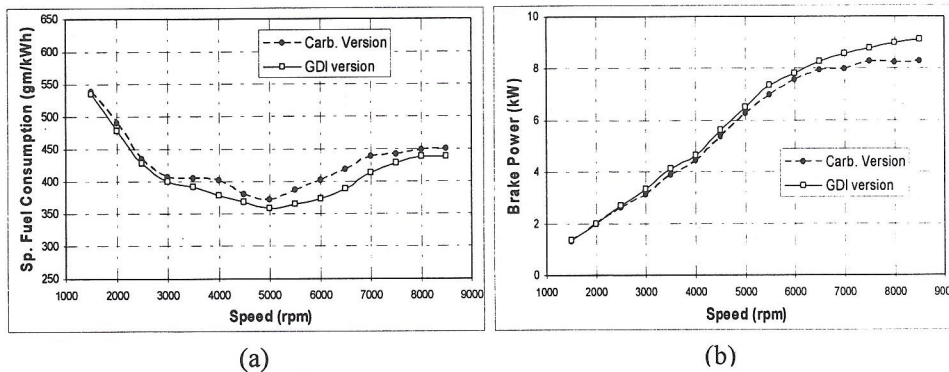


Figure 13: Fuel consumptions and engine outputs

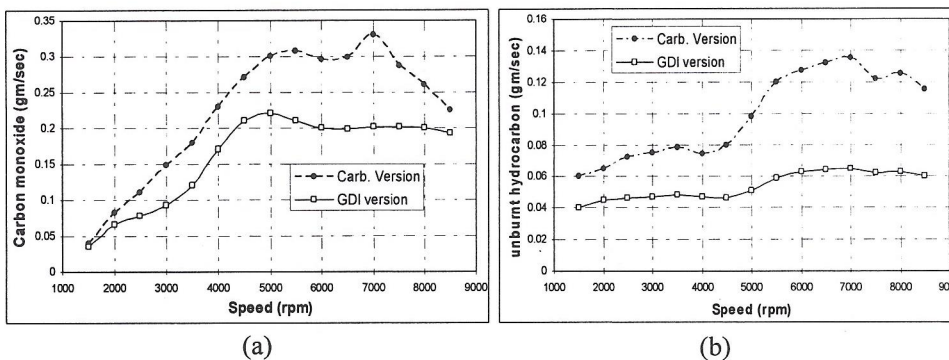


Figure 14: CO and unburned HC concentrations

6.0 CONCLUSIONS

The following conclusions are thus derived:

1. A small air-cooled, 125 cc gasoline engine of stepped-piston design has been successfully designed and developed, both for carbureted and injection version. The upgraded engine was also incorporated with other associated auxiliaries.
2. The improvements made on the carbureted version have strong indications of having improved fuel economy and environmental-friendly features.
3. The incorporation of the new features have improved the engine performance and HC and CO emissions

Further refinements are now being undertaken to improve its power-to-weight ratio, and to incorporate an exhaust valve to turn it into an attractive engine package for many applications, either in the automotive and non-automotive sectors.

ACKNOWLEDGEMENTS

The financial grant extended by the Malaysian Ministry of Science, Technology & Innovation (MOSTI, grant no.:03-02-0000PR0005/03) and the assistance from all parties are gratefully acknowledged.

REFERENCES

1. Goldsborough, S.S. and Blaringan, P.V., 2003, Optimizing the Scavenging System for a Two-Stroke Cycle, Free Piston Engine for High Efficiency and Low Emissions: A Computational Approach, *SAE Paper* No.: 2003-01-0001.
2. Patent Number 4,522,163, 11th. June 1985, United State Patent.
3. Sun, X., Brereton, G.J., Morrison, K. & Patterson, D.J., September 1995, Emissions Analysis of Small Utility Engines, *SAE Paper* 952080, SAE Off-Highway and Powerplant Congress, Milwaukee.

Abstract

The following paper reports on a study of the effects of a 12-week training program on the performance of a complex task. The program consisted of a series of 12 sessions, each lasting 90 minutes, during which participants practiced the task. The results showed that performance improved significantly over the course of the program, and that the improvement was maintained for at least 6 weeks after the final session. The study also examined the effects of a control group, which did not receive any training, and found that their performance remained relatively stable throughout the study. The findings suggest that a structured training program can be effective in improving performance on a complex task, and that the benefits of such training can be long-lasting.

The study was conducted in a laboratory setting, and the participants were all college students. The task was a complex, multi-step procedure that required both physical and mental skills. The training program was designed to be challenging and to provide participants with a variety of practice opportunities. The control group was also made up of college students, and their performance was monitored throughout the study. The results of the study are discussed in detail in the following sections.

Introduction

The purpose of this study was to investigate the effects of a 12-week training program on the performance of a complex task. The study was designed to test the hypothesis that a structured training program can lead to significant improvements in performance on a complex task, and that these improvements can be maintained for a period of time after the training has ended.

Method

The study was conducted in a laboratory setting, and the participants were all college students. The task was a complex, multi-step procedure that required both physical and mental skills. The training program consisted of 12 sessions, each lasting 90 minutes, during which participants practiced the task. The control group did not receive any training. The results of the study are discussed in detail in the following sections.